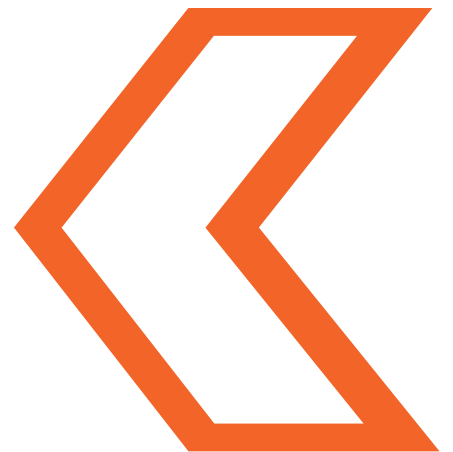
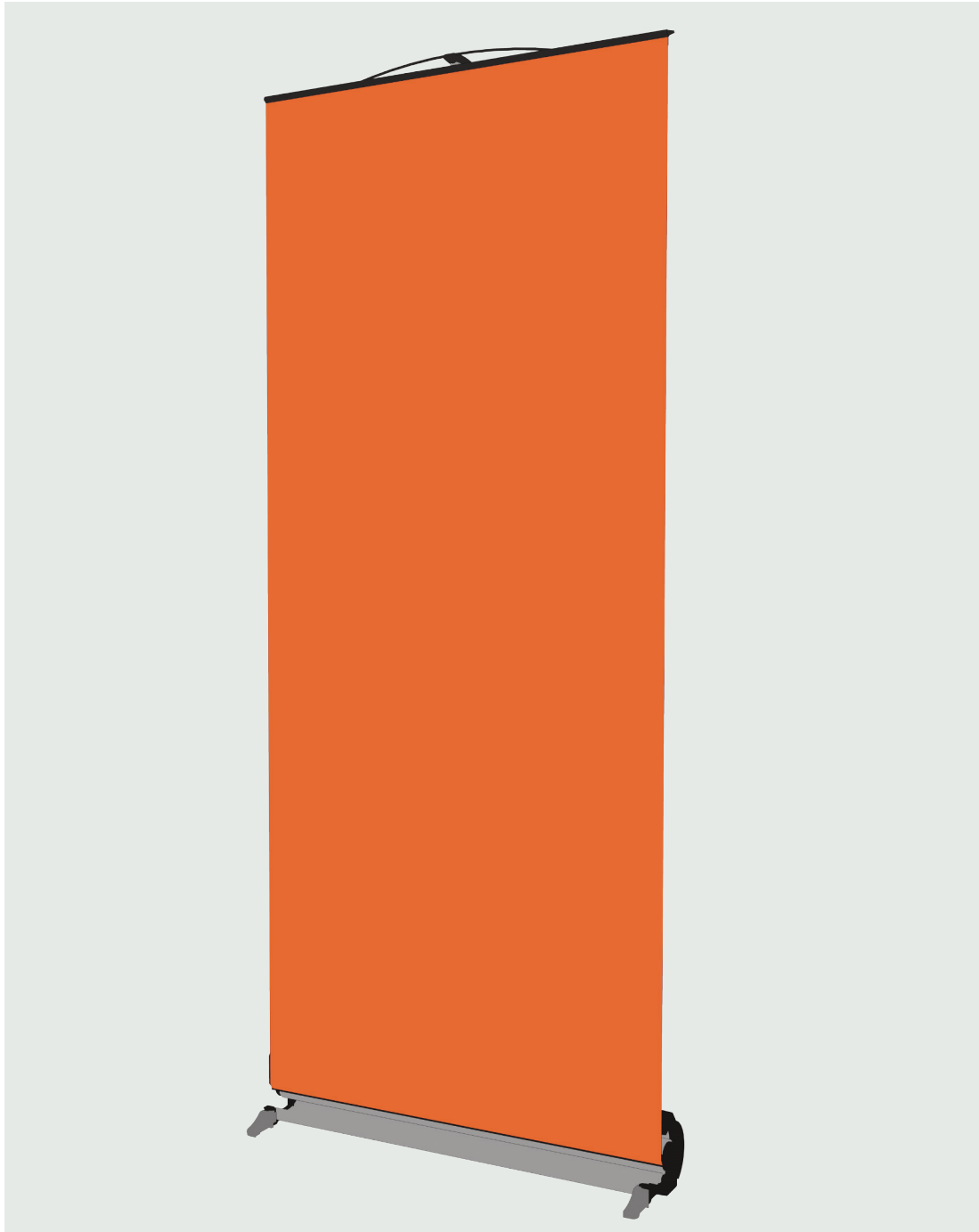


TigerLink Retractable Banner System



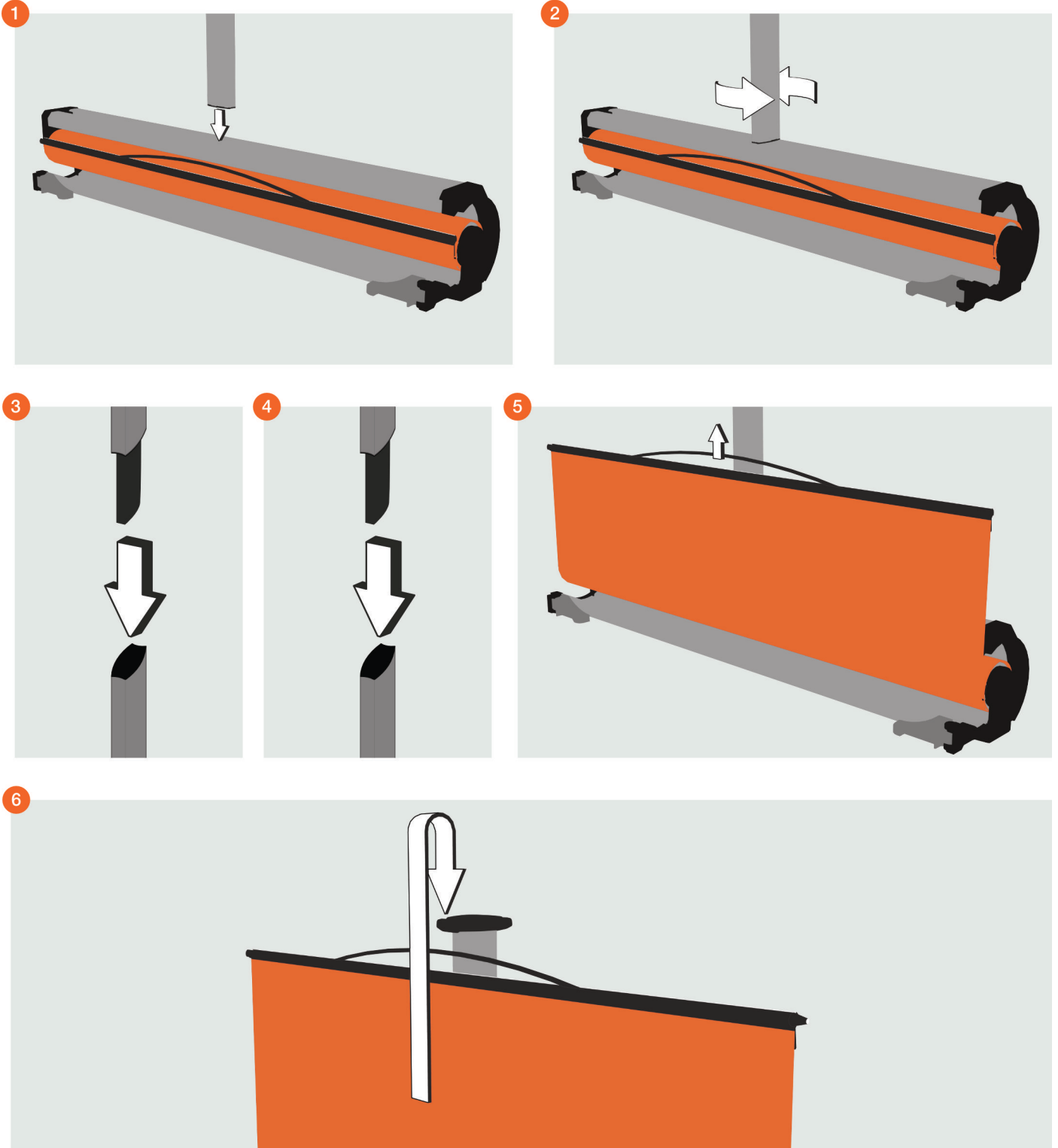
Instructional Videos available at:
tigerpresentations.com/tigerlink-how-to

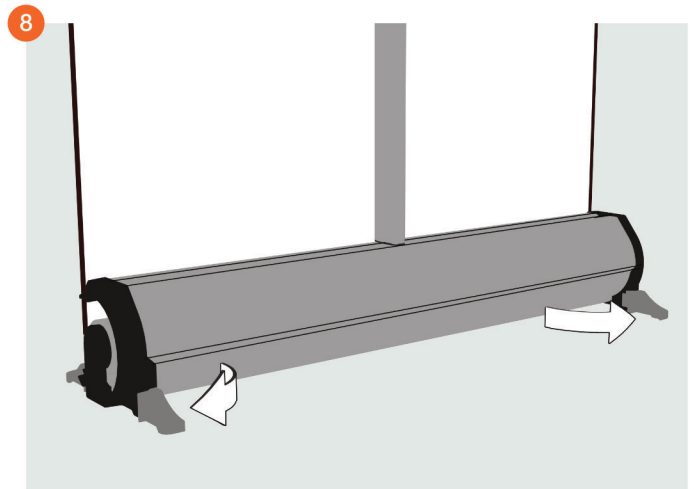
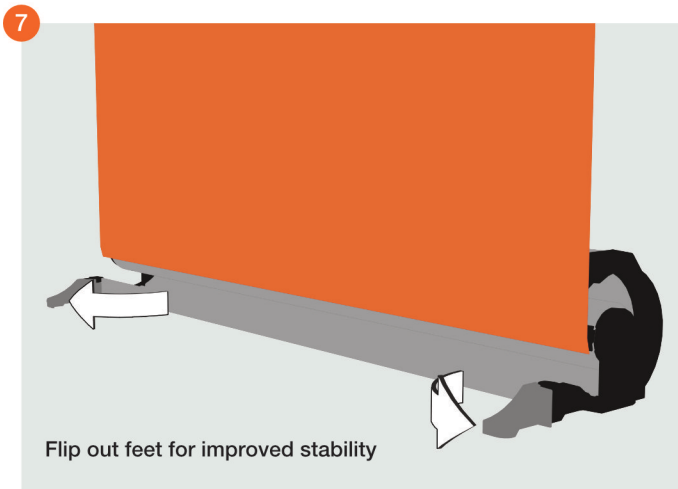


TigerLink Setup Instructions

Items

- 1x base with integrated graphic panel
- 1x bottom upright section
- 1x middle upright section
- 1x top upright section

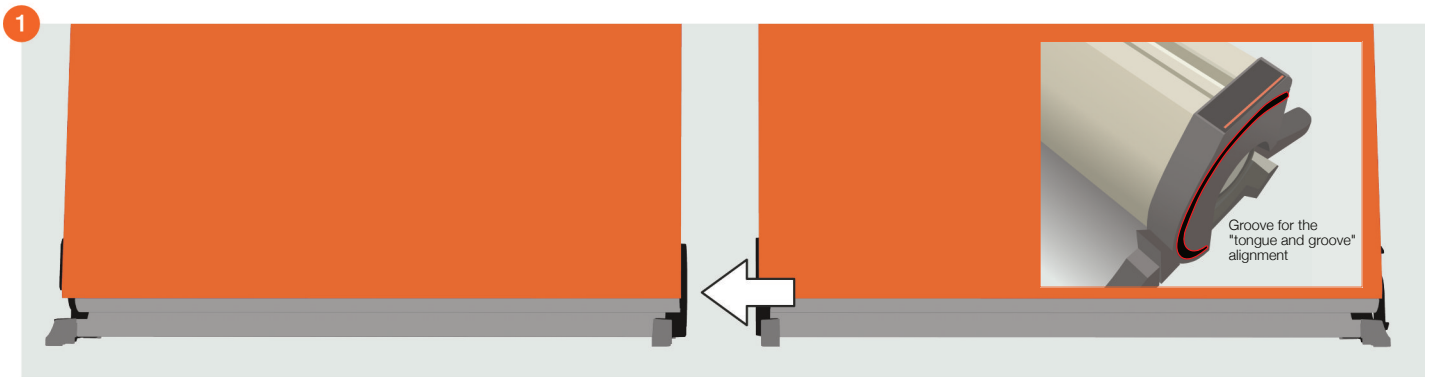




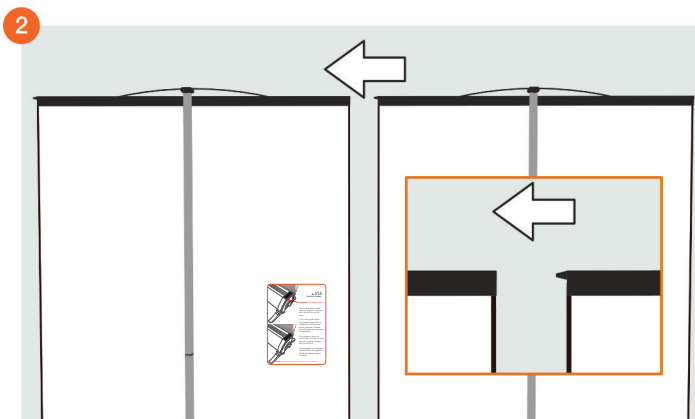
How To Link Together

Items

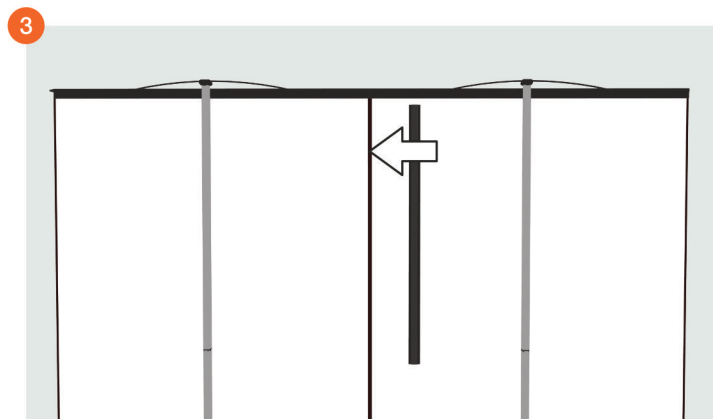
1x EasiLink Kit



Slide the two Link bases together, using the tongue and groove for correct alignment



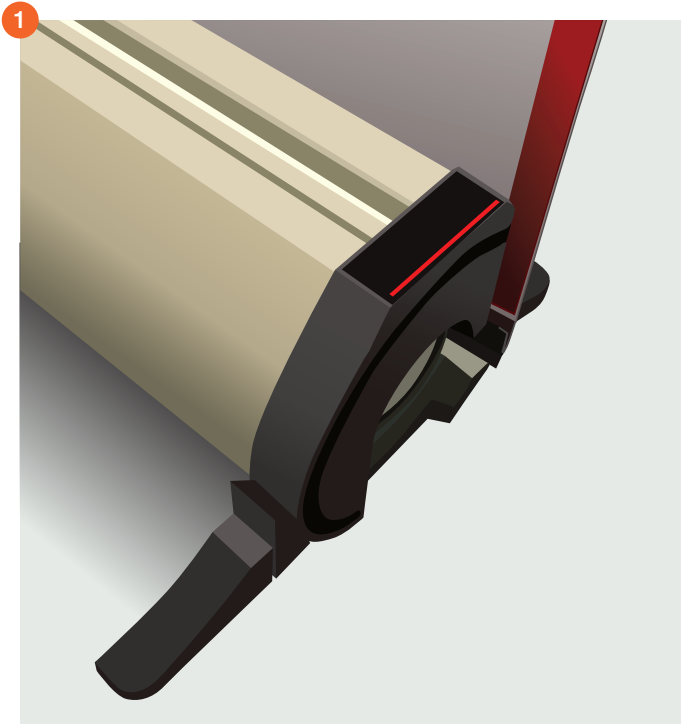
Align the top hanging bars using the alignment pin. If the graphics are widely separated, either graphic can be gently slid until the edges of the graphics touch



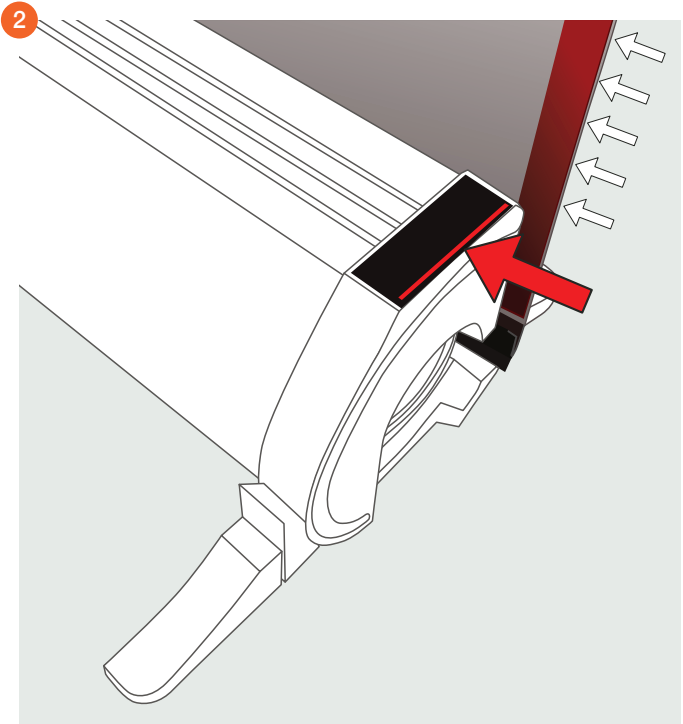
After aligning the graphics, attach the EasiLink magnet strips, starting at the top and working your way to the bottom

Important Teardown Instructions

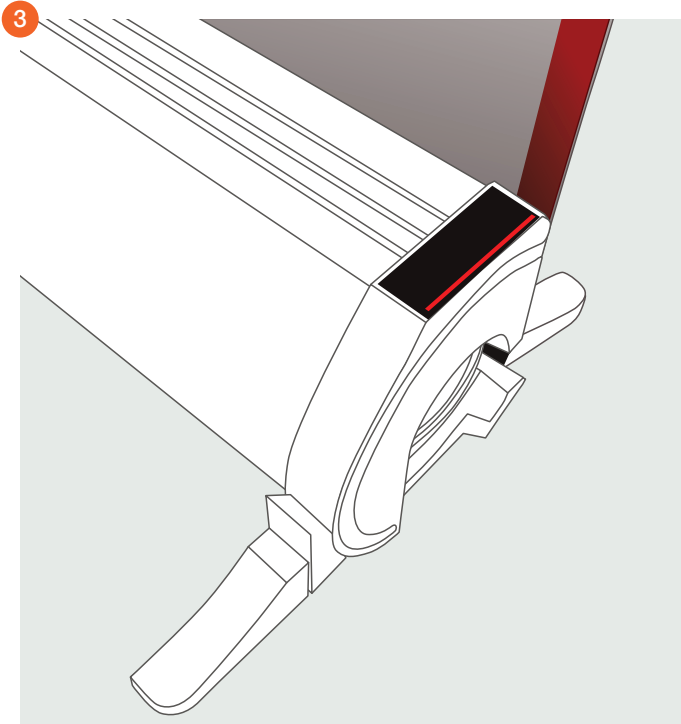
IF YOUR GRAPHIC WILL NOT RETRACT, READ BELOW



Warning
If the graphic does not retract in to the base



Simply slide the graphic to align with the red line



Once the graphic is realigned with the base



The graphic will slide back into place correctly.